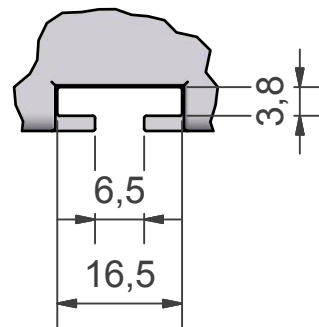


A (1:1)



The Weights are without Blinds

Important Note:
This unit has a removeable Back Cover and Inner Chassis to enable Blinds to be fitted or changed. Therefore, there must be unrestricted access to the whole of the Back of the Sign

3	1	400505	Back Cover with Fastener
2	1	400992	Inner Chassi Complete
1	1	400930	Outer Casing Complete 320x1190
ITEM	QTY	PART NUMBER	DESCRIPTION

Parts List

Designed by POd	Drawn by POd	Checked by S0	S-class S0	Affirmed	Scale 1:5	Weight 18,0kg	Proj. Method ⊕	Art. No. RB3201190-06
Mobitec AB Smartblind Sight Area: H=320, W=1190								Drawing Size A3 Date 2009-06-09 Drawing No. MD. RB3201190-06 Revision

This drawing is the property of Mobitec AB who retains all patent, proprietary design, use, sale and production rights. It may not be reproduced or used for manufacture or sale of apparatus without permission. © Mobitec AB, Sweden.