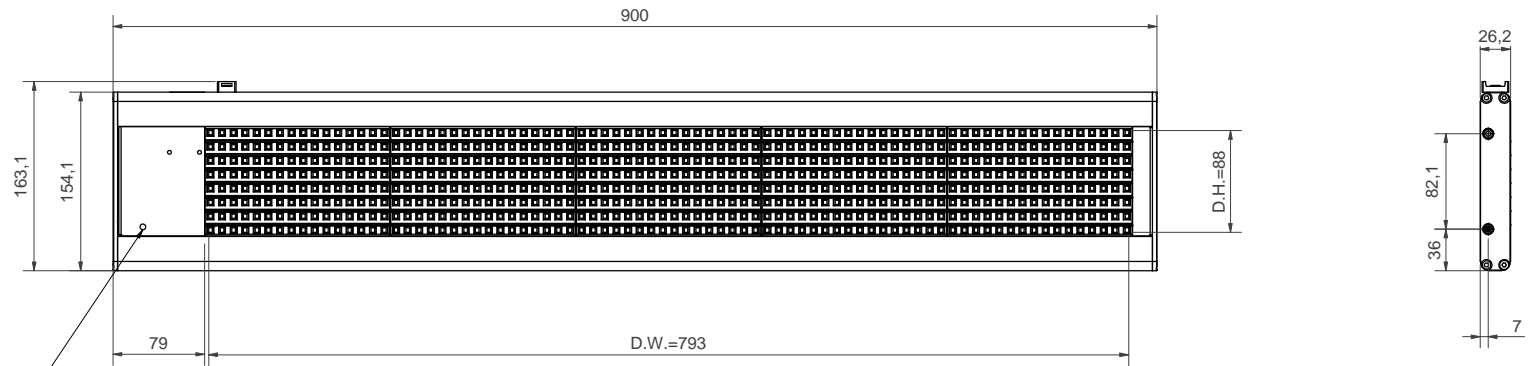
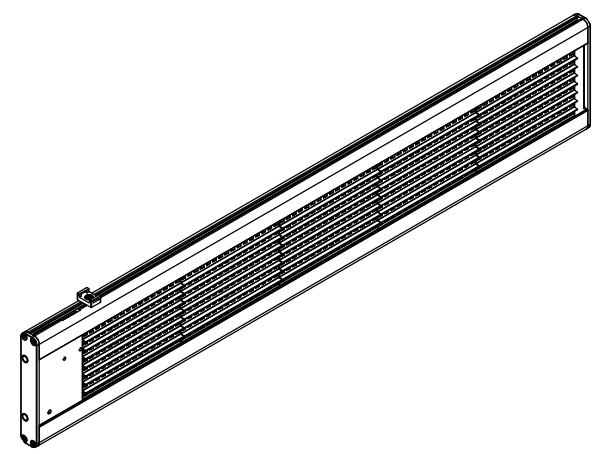


Rev	Description	Date	Appro
1	Added EMC certificate and E-number.	2014-04-10	MBe



Light sensor, Do not cover



EMC: Type-approval certificate with regard to Directive 72/245/EEC or ECE regulation No. 10

EC Type Approval
 10R-04 190

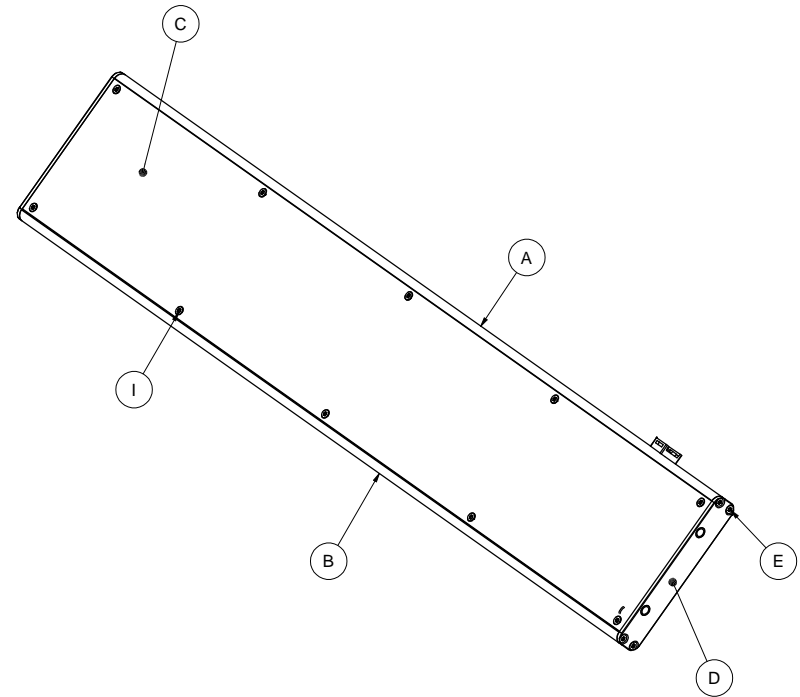
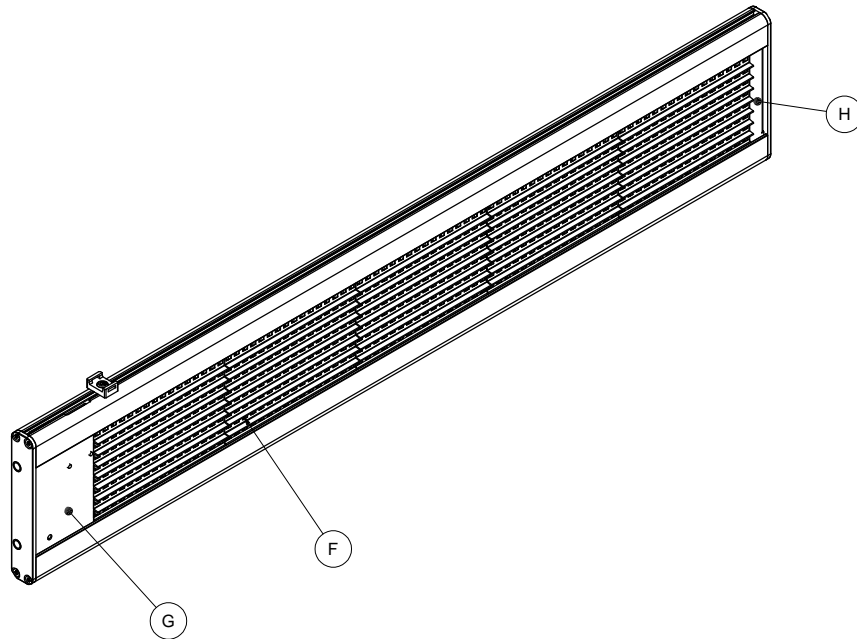
Must fulfill general appearance specifications doc.nr. 02919.

All dimensions with unspecified tolerance must conform SS-ISO 2768 Medium

Designed by	Drawn by	Checked by	IS-class	Affirmed	Scale	Weight	Proj. Method	Art. No.
MBe	MBe	KHo	SO		1:3			L12060000-000
Mobitec AB 8x80 12/10 Standard MobiLED Ultima White								OEM Number L12060000-000
								Date 2013-10-31
								Drawing No. L12060000-000
								Revision 1

Table		
Pos	Description	Material/Surface Treatment
A	Top Profile	Alu Profile EN AW 6060 Anodized Black vx 50
B	Bottom Profile	Alu Profile EN AW 6060 Anodized Black vx 50
C	Back cover	Alu Sheet EN AW 10 50 Dobel black
D	Side profile	Steel sheet EN 10130 powder coated RAL9005
E	Screw	M4x10 MFT-TT cromated black
F	Louver	Plastic Lexan 503 R
G	Mounting bracket	Alu sheet EN AW 5754 Anodized black Hx 50
H	Blind	Alu sheet EN AW 5754 Anodized black Hx 50
I	Screw	M4x8 MFT-TT cromated black

Number of diods:s = 640
 Nominal voltage = 24V DC
 Supply voltage = 9 - 36 V DC
 Max current consumption = 1,6A
 Operating temperature = -30°C to +70°C
 IP class = N.A
 Cleaning = Isopropanol



Designed by	Drawn by	Checked by	IS-class	Affirmed	Scale	Weight	Proj. Method	Art. No.
MBe	MBe	KHo	SO		1:3			L12060000-000
Mobitec AB 8x80 12/10 Standard MobiLED Ultima White								OEM Number L12060000-000
								Date 2013-10-31
								Drawing No. L12060000-000
								Page: 2 1