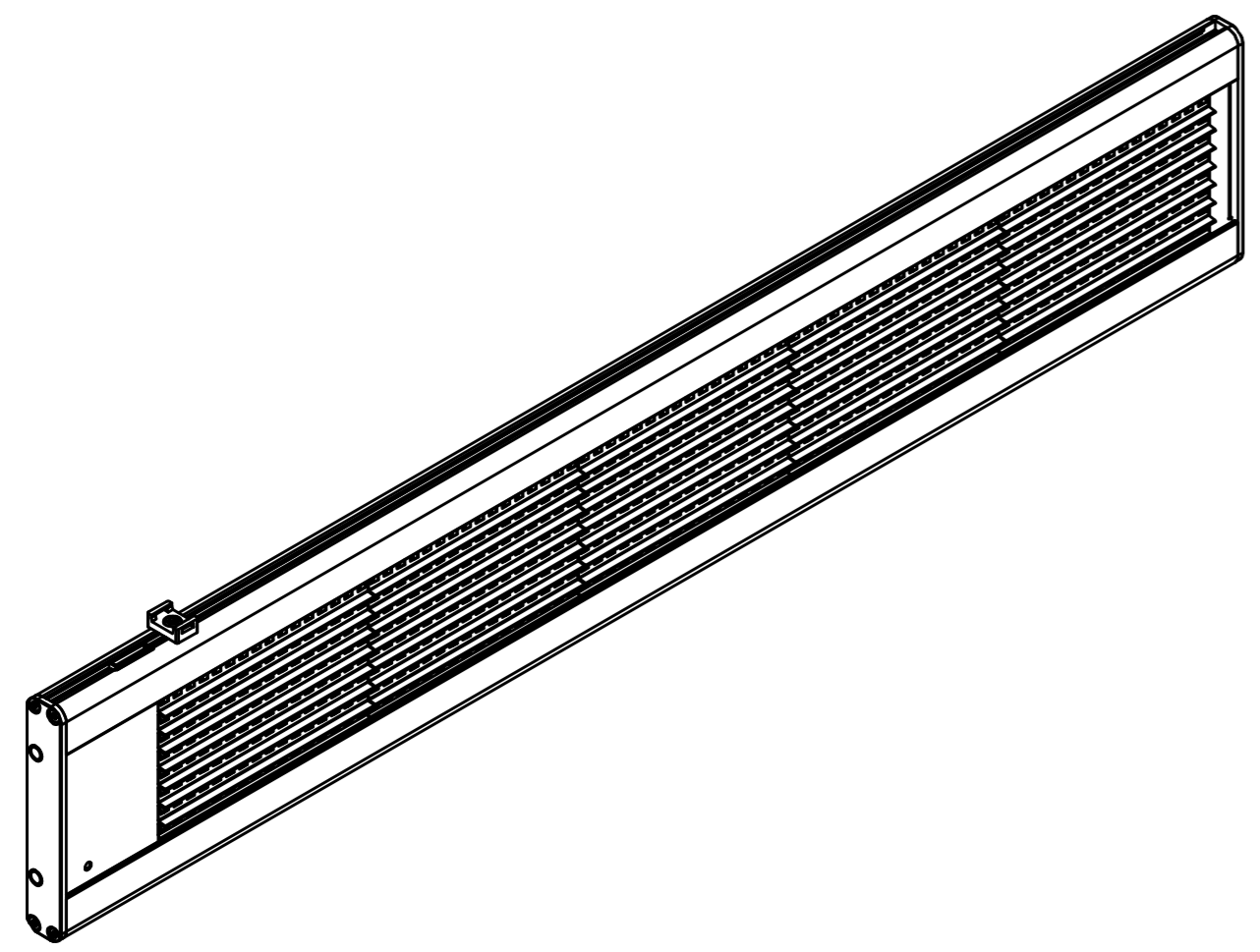
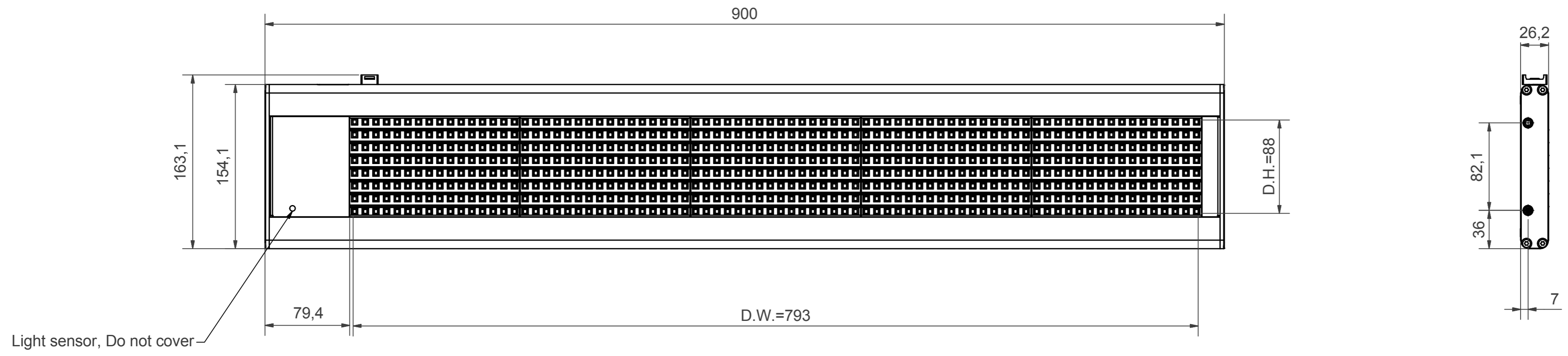



Rev	Description	Date	Appro
1	Added EMC certificate and E-number.	2014-04-10	MBe



EMC: Type-approval certificate with regard to Directive 72/245/EEC or ECE regulation No. 10

EC Type Approval
 10R-04 190

Must fulfill general appearance specifications doc.nr. 02919.
 All dimensions with unspecified tolerance must conform SS-ISO 2768 Medium

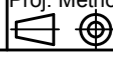
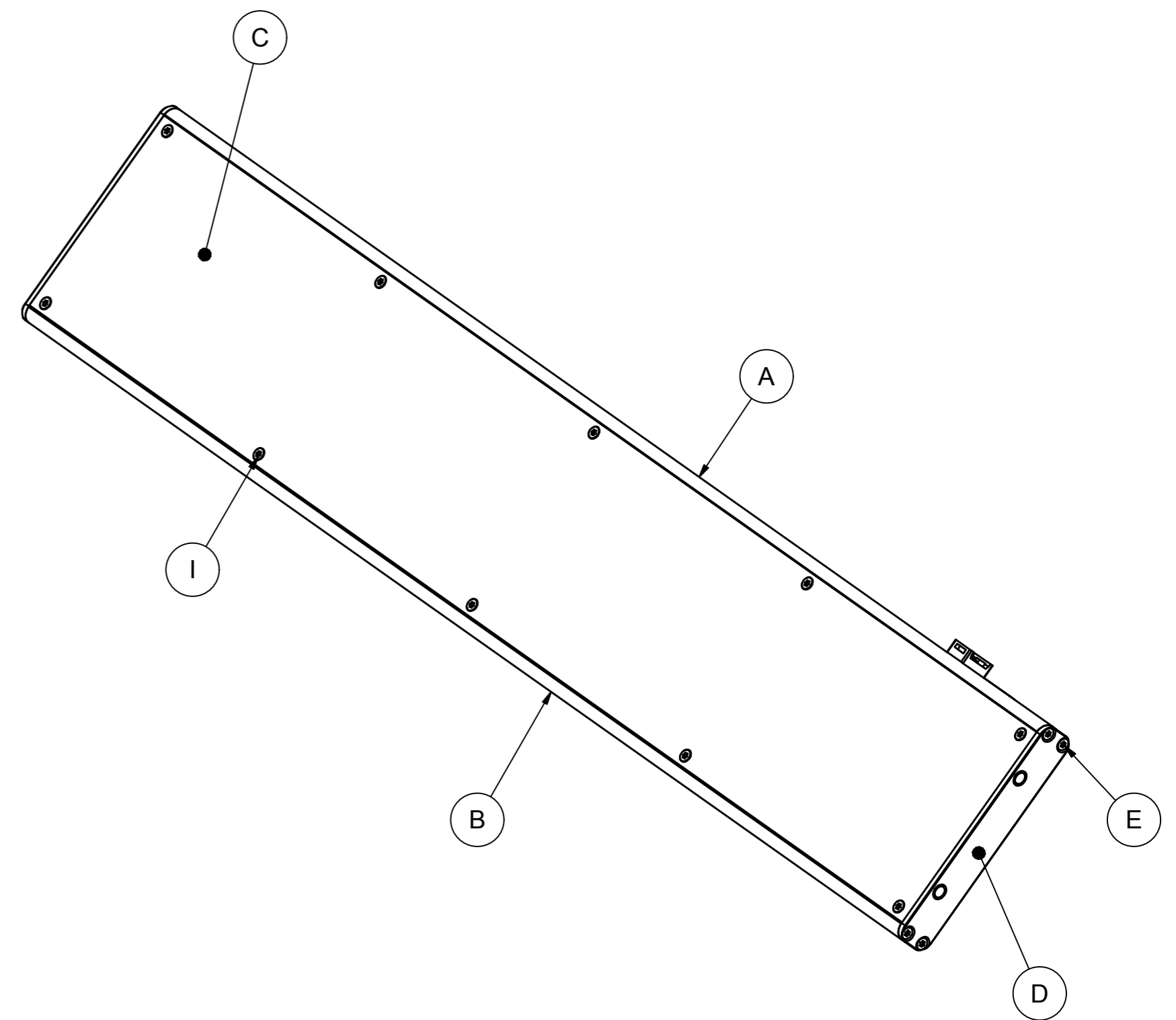
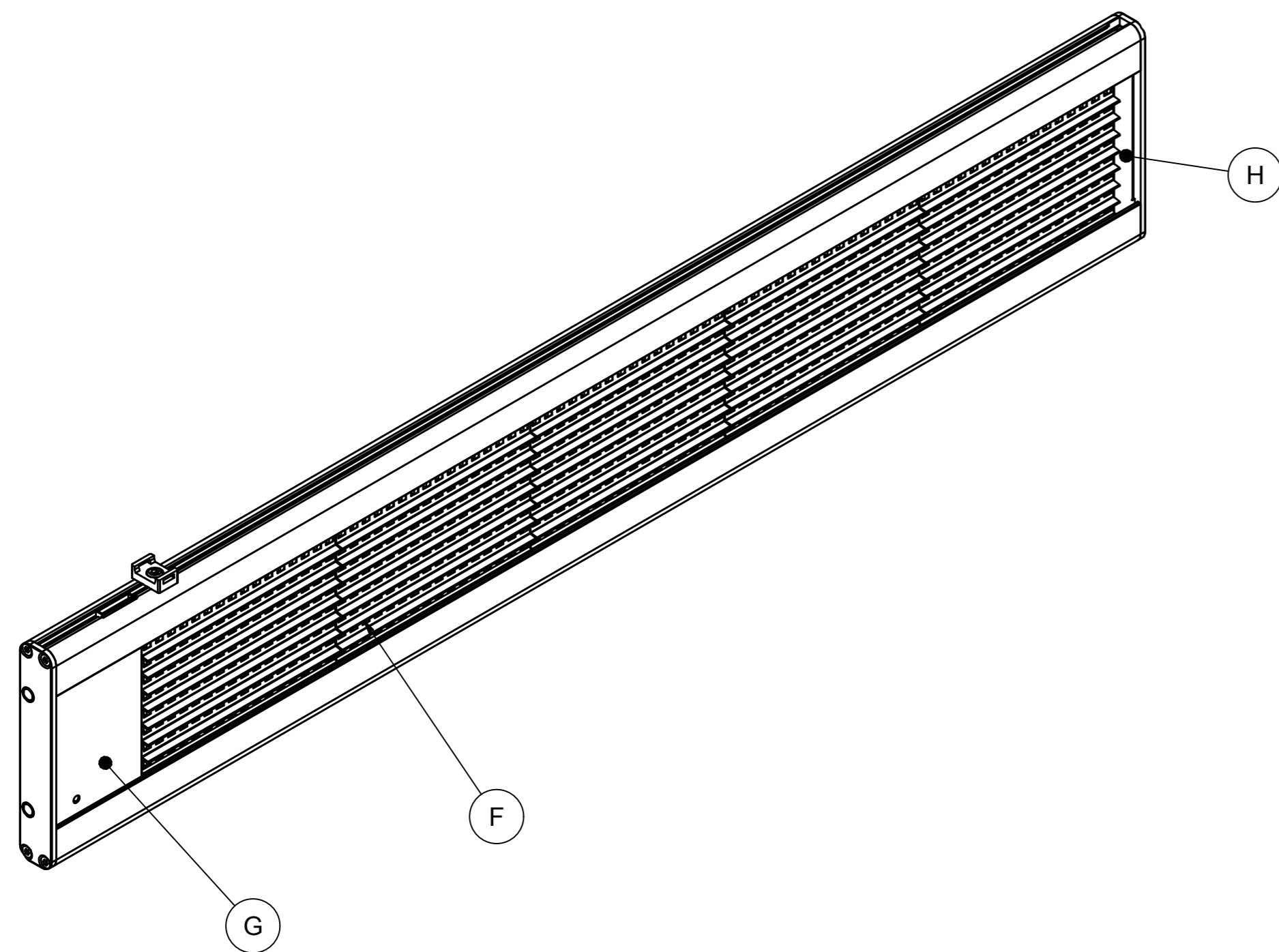
Designed by MBe	Drawn by MBe	Checked by KHo	S-class S0	Affirmed	Scale 1:3	Weight 2,1 Kg	Proj. Method 	Art. No. LG2060000-000
Mobitec AB 8x80 12/10 Standard MobiLED Ultima Amber							Date 2013-07-04	Revision 1

Table		
Pos	Description	Material/Surface Treatment
A	Top Profile	Alu Profile EN AW 6060 Anodized Black vx 50
B	Bottom Profile	Alu Profile EN AW 6060 Anodized Black vx 50
C	Back cover	Alu Sheet EN AW 10 50 Dobel black
D	Side profile	Steel sheet EN 10130 powder coated RAL9005
E	Screw	M4x10 MFT-TT cromated black
F	Louver	Plastic Lexan 503 R
G	Mounting bracket	Alu sheet EN AW 5754 Anodized black Hx 50
H	Blind	Alu sheet EN AW 5754 Anodized black Hx 50
I	Screw	M4x8 MFT-TT cromated black

Number of diods:s = 640
 Nominal voltage = 24V DC
 Supply voltage = 9 - 36 V DC
 Max current consumption = 1,6A
 Operating temperature = -30°C to +70°C
 IP class = N.A
 Cleaning = Isopropanol



Designed by	Drawn by	Checked by	S-class	Affirmed	Scale	Weight	Proj. Method	Art. No.
MBe	MBe	KHo	S0		1:3	2,1 Kg	⊕	LG2060000-000
Mobitec AB		8x80 12/10 Standard			Date		Revision	
		MobilED Ultima Amber			2013-07-04		1	
Page: 2							Drawing No. LG2060000-000	