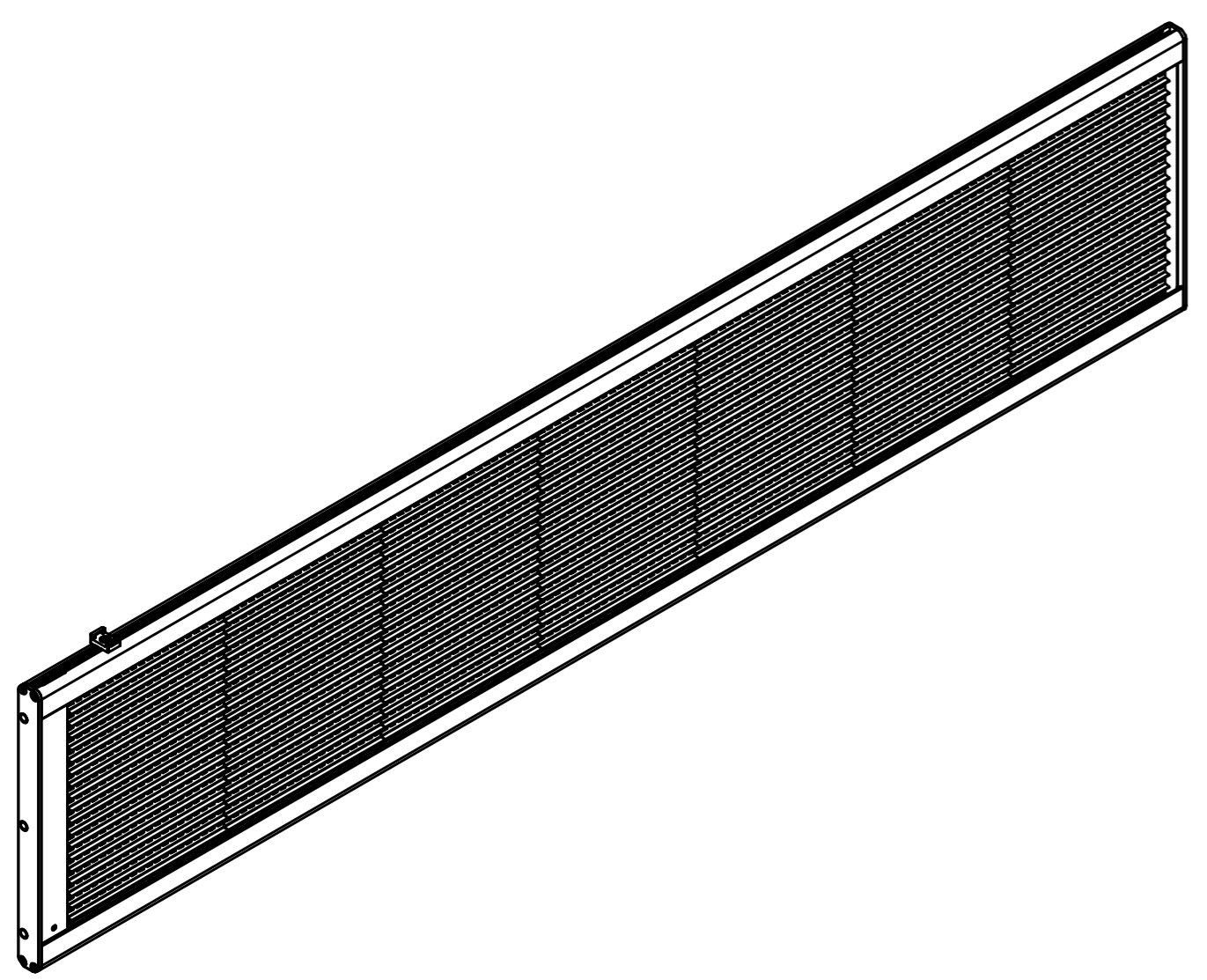
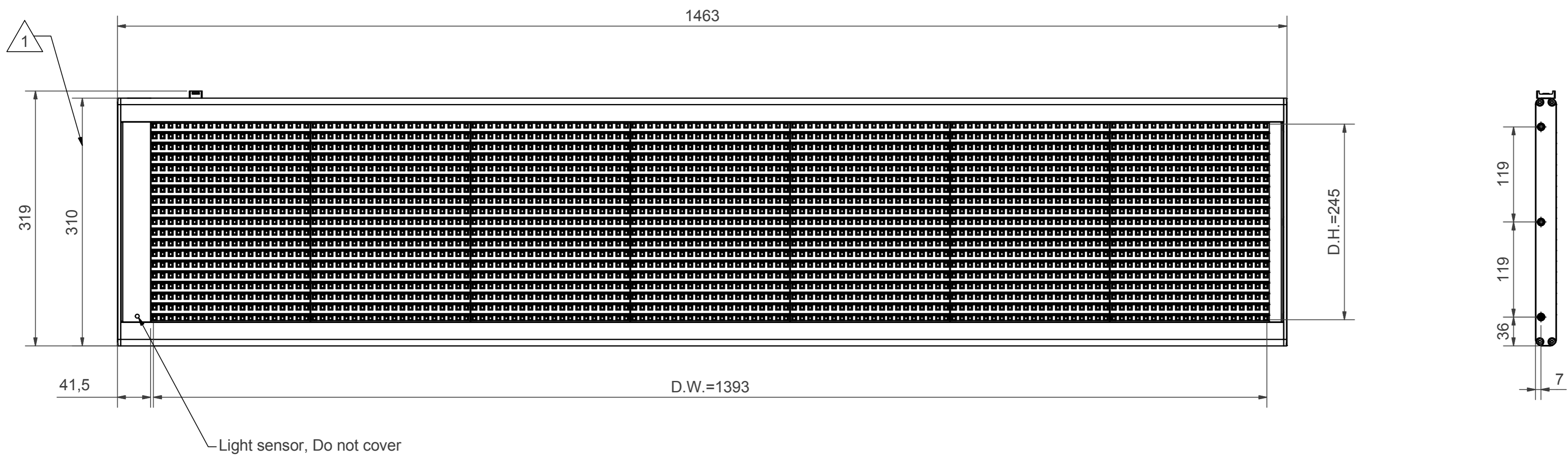


Rev	Description	Date	Appro
1	Changed tot. high from 311,3mm to 310mm.	2013-12-12	MBe
2	Added EMC certificate and E-number.	2014-04-10	MBe



EMC: Type-approval certificate with regard to Directive 72/245/EEC or ECE regulation No. 10

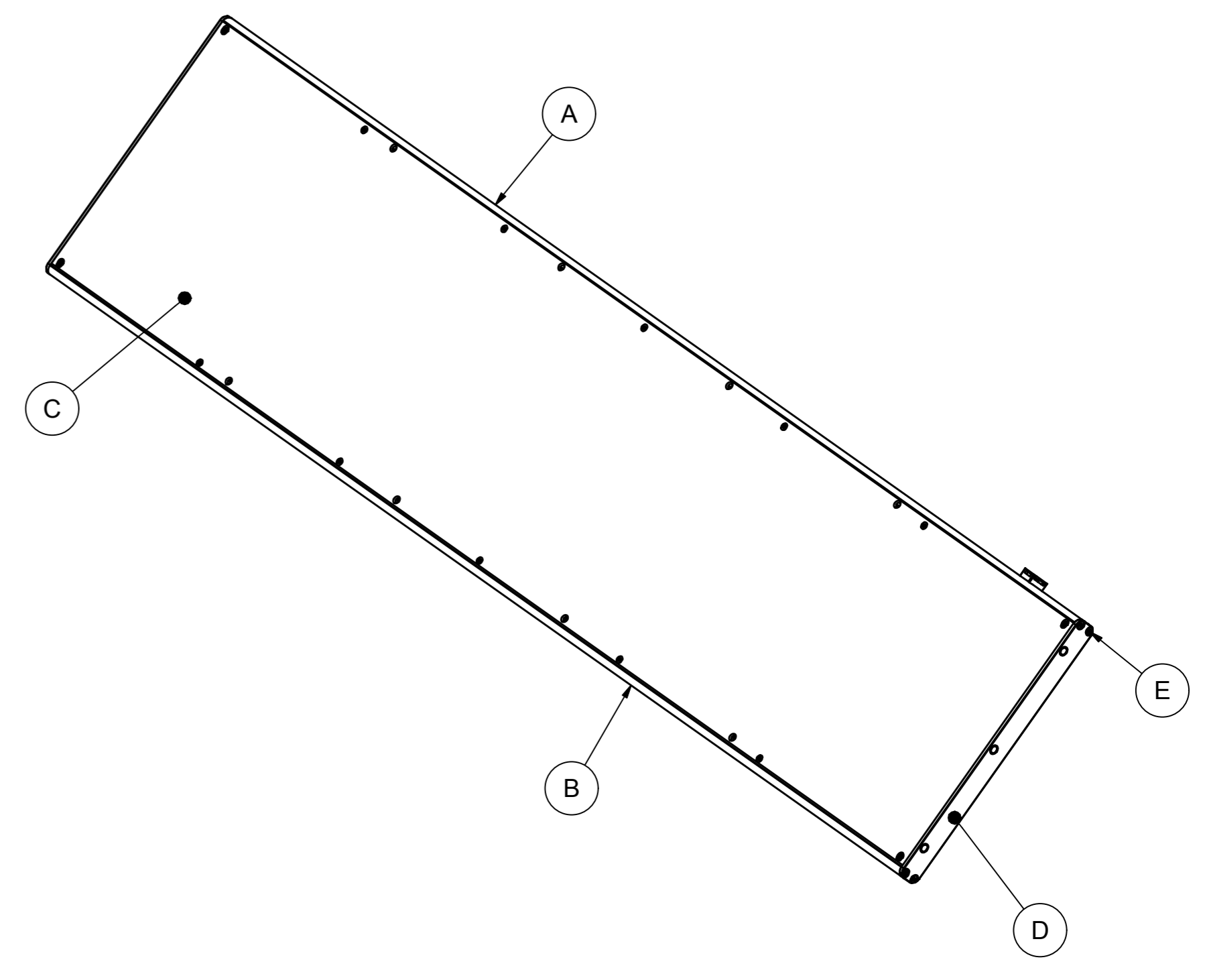
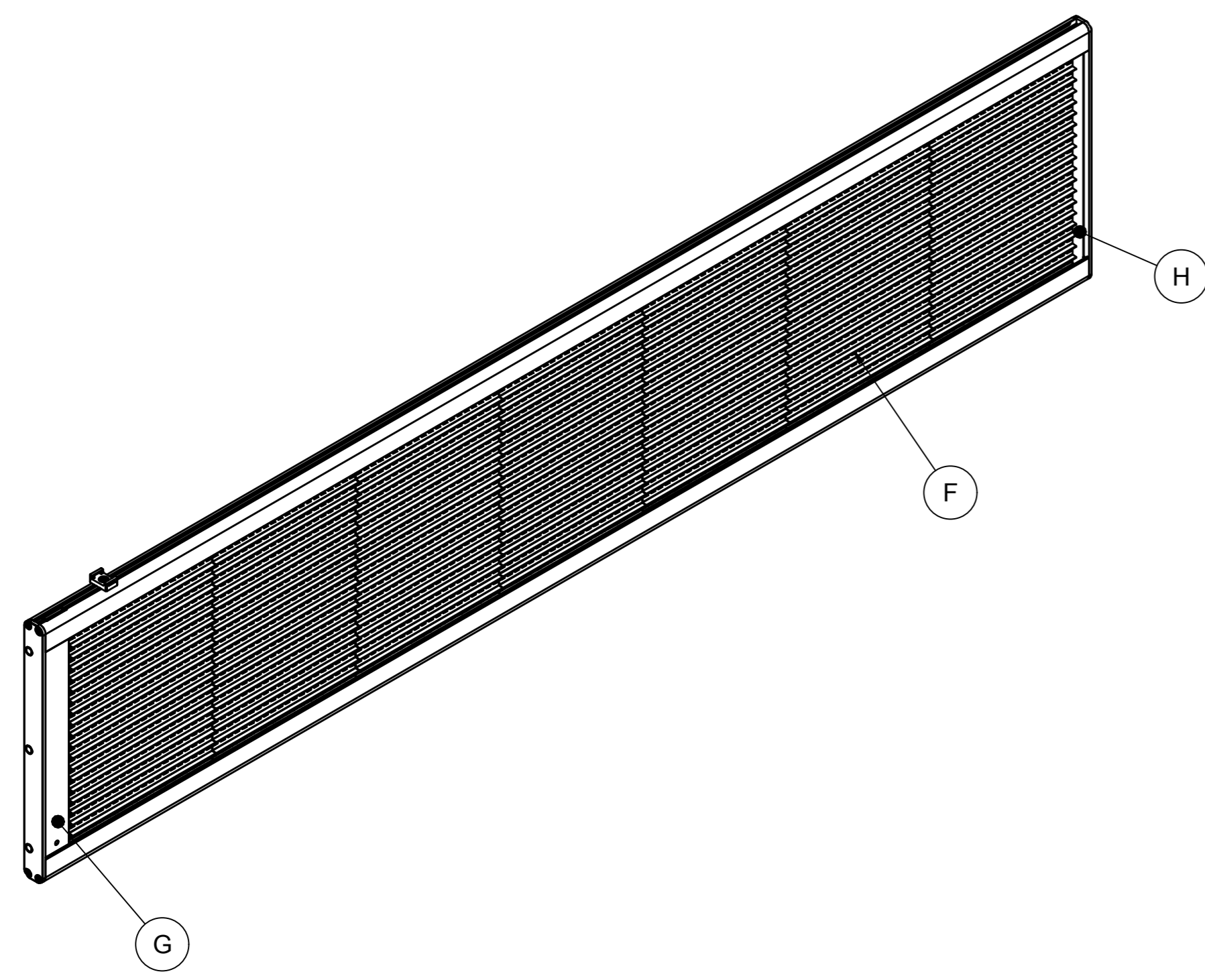
EC Type Approval  
E5 10R-04 190

Must fulfill general appearance specifications doc.nr. 02919.  
All dimensions with unspecified tolerance must conform SS-ISO 2768 Medium

Designed by MBe	Drawn by MBe	Checked by KHo	S-class S0	Affirmed	Scale 1:4	Weight 7,4 Kg	Proj. Method ⊕	Art. No. LG2050000-000
Mobitec AB			19x140 13,4/10 Standard					OEM Number
			MobiLED Ultima Amber					Date 2013-06-26
							Drawing No. LG2050000-000	Revision 2

Table		
Pos	Description	Material/Surface Treatment
A	Top Profile	Alu Profile EN AW 6060 Anodized Black vx 50
B	Bottom Profile	Alu Profile EN AW 6060 Anodized Black vx 50
C	Back cover	Alu Sheet EN AW 10 50 Dobel black
D	Side profile	Steel sheet EN 10130 powder coated RAL9005
E	Screw	M4x12 MFT-TT cromated black
F	Louver	Plastic Lexan 503 R
G	Mounting bracket	Alu sheet EN AW 5754 Anodized black Hx 50
H	Blind	Alu sheet EN AW 5754 Anodized black Hx 50
I	Screw	M4x8 MFT-TT cromated black

Number of diods:s = 2660  
 Nominal voltage = 24V DC  
 Supply voltage = 9 - 36 V DC  
 Max current consumption = 1,6A  
 Operating temperature = -30°C to +70°C  
 IP class = N.A  
 Cleaning = Isopropanol



Designed by	Drawn by	Checked by	S-class	Affirmed	Scale	Weight	Proj. Method	Art. No.
MBe	MBe	KHo	S0		1:4	7,4 Kg	⊕	LG2050000-000
Mobitec AB		19x140 13,4/10 Standard			Date		2013-06-26	
MobiLED Ultima Amber		Drawing No.		Revision				
		LG2050000-000		2		Page: 2		