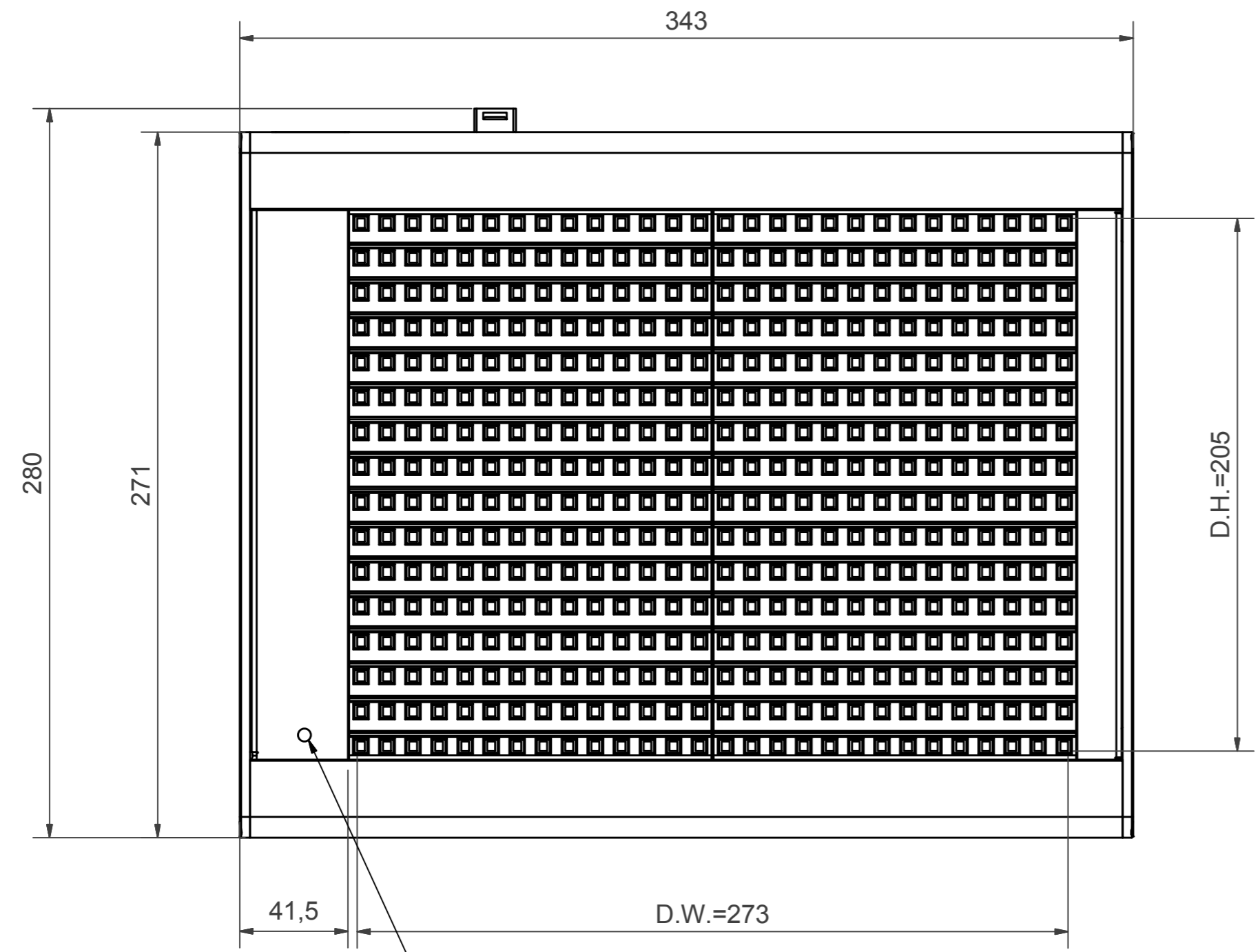
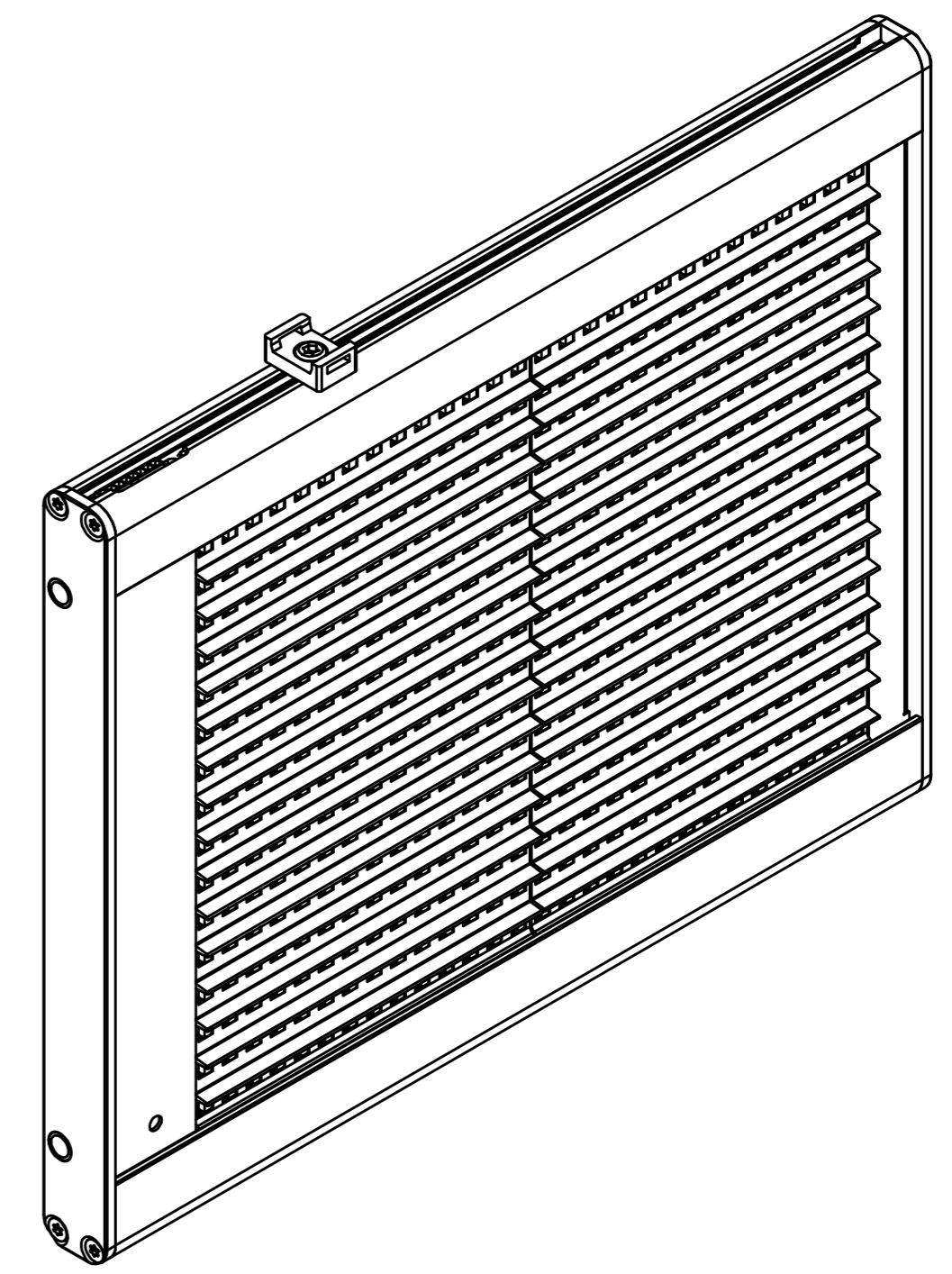
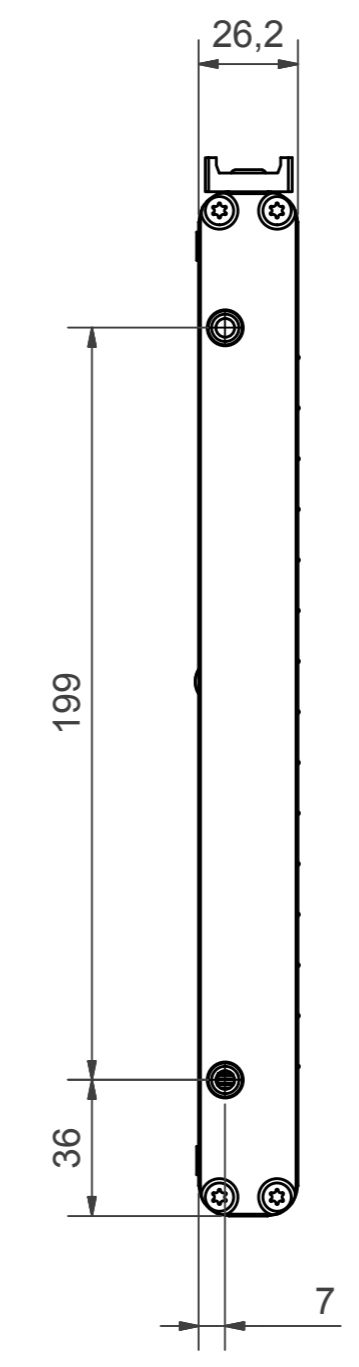


Rev	Description	Date	Appro
1	Added EMC certificate and E-number.	2014-04-10	MBe



Light sensor, Do not cover



EMC: Type-approval certificate with regard to Directive 72/245/EEC or ECE regulation No. 10

EC Type Approval  
E5 10R-04 190

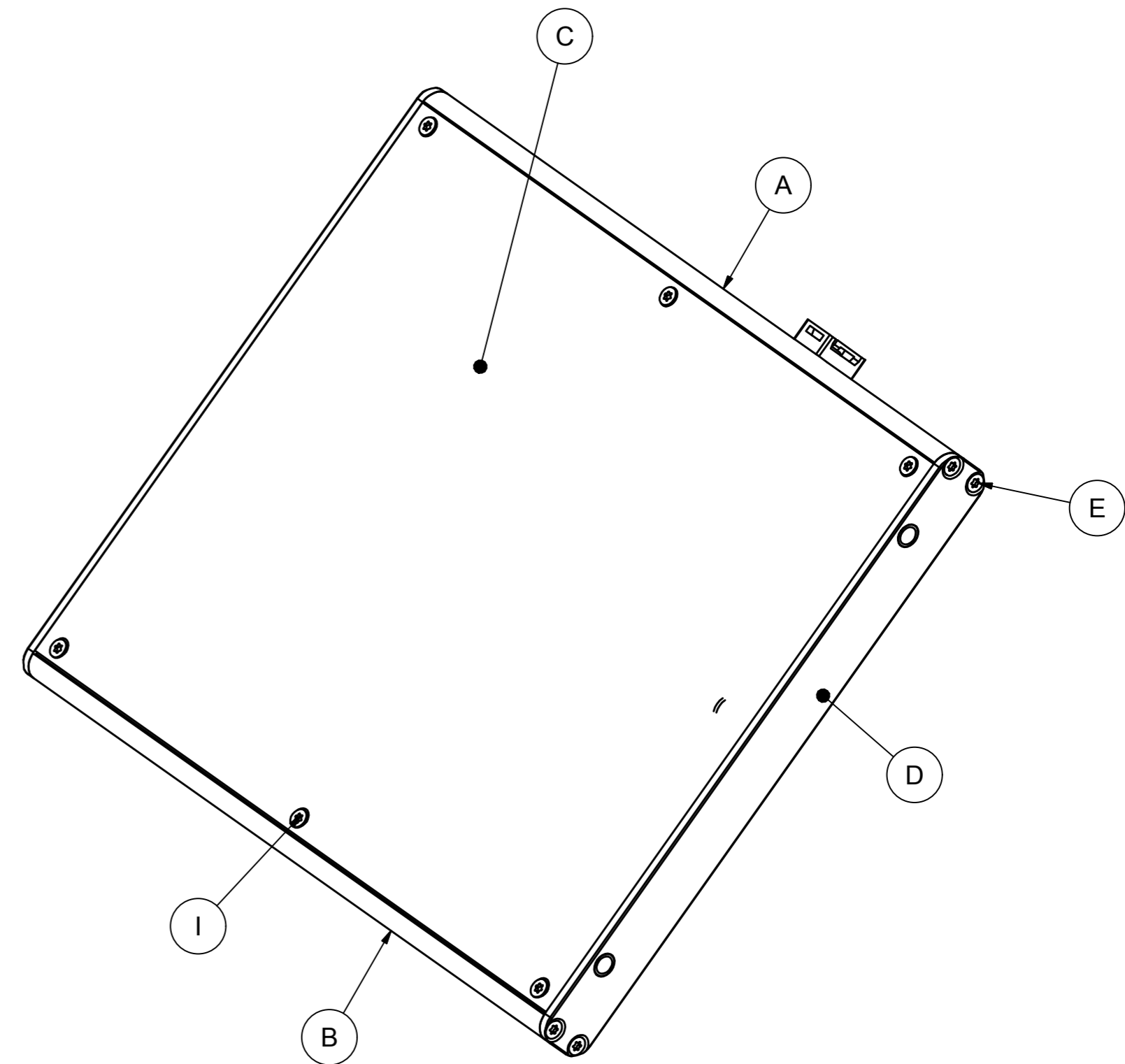
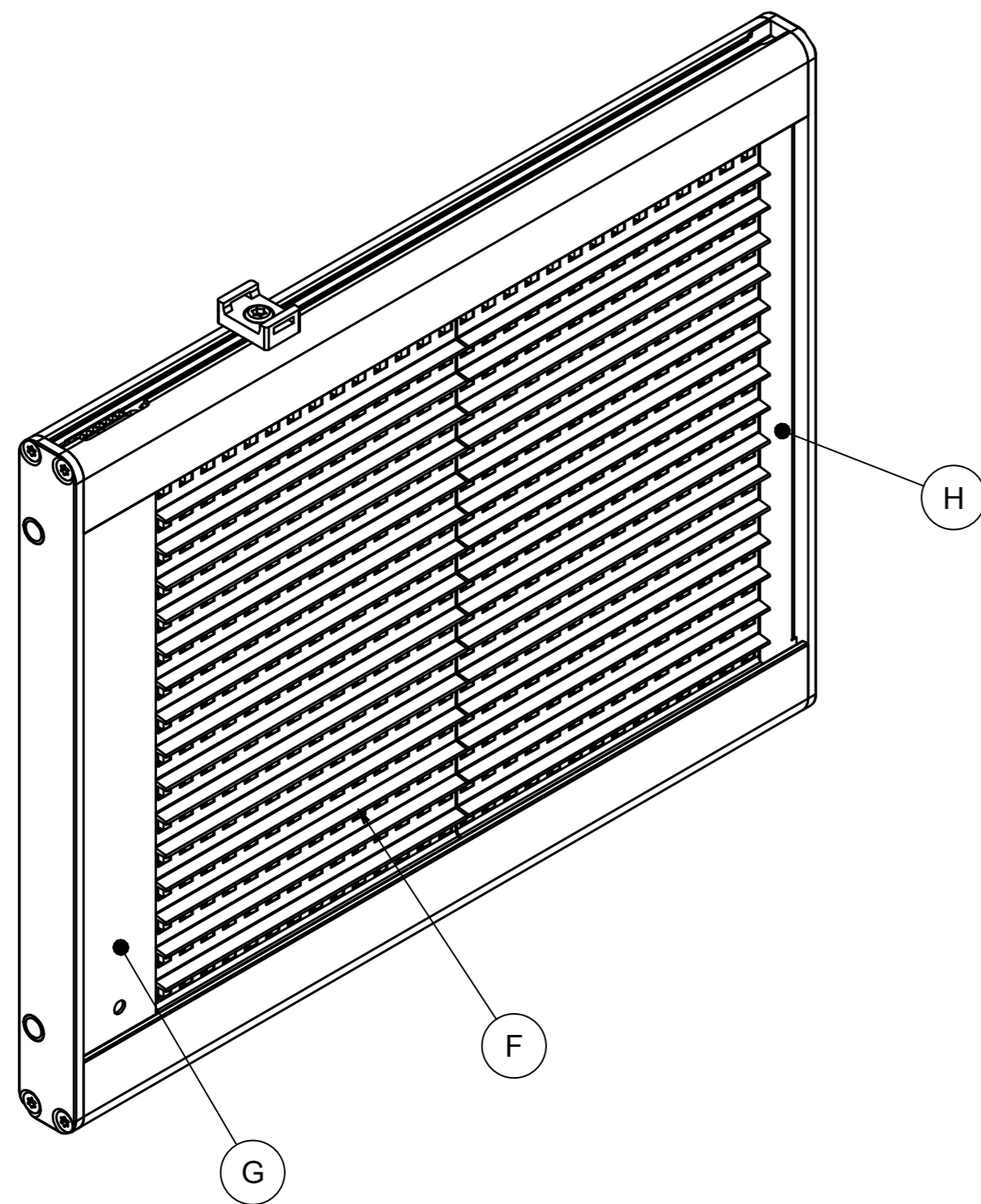
Must fulfill general appearance specifications doc.nr. 02919.

All dimensions with unspecified tolerance must conform SS-ISO 2768 Medium

Designed by MBe	Drawn by MBe	Checked by KHo	S-class S0	Affirmed	Scale 1:2	Weight 1,5 kg	Proj. Method ⊕	Art. No. LG2020000-000
Mobitec AB		16x28 13,4/10 Standard			Date 2013-07-01		Revision 1	
<small>This drawing is the property of Mobitec AB who retains all patent, proprietary design, use, sale and production rights. It may not be reproduced or used for manufacture or sale of goods without permission. © Mobitec AB, Sweden</small>								OEM Number Drawing No. LG2020000-000

Table		
Pos	Description	Material/Surface Treatment
A	Top Profile	Alu Profile EN AW 6060 Anodized Black vx 50
B	Bottom Profile	Alu Profile EN AW 6060 Anodized Black vx 50
C	Back cover	Alu Sheet EN AW 10 50 Dobel black
D	Side profile	Steel sheet EN 10130 powder coated RAL9005
E	Screw	M4x12 MFT-TT cromated black
F	Louver	Plastic Lexan 503 R
G	Mounting bracket	Alu sheet EN AW 5754 Anodized black Hx 50
H	Blind	Alu sheet EN AW 5754 Anodized black Hx 50
I	Screw	M4x8 MFT-TT cromated black

Number of diods:s = 448  
 Nominal voltage = 24V DC  
 Supply voltage = 9 - 36 V DC  
 Max current consumption = 1,6A  
 Operating temperature = -30°C to +70°C  
 IP class = N.A  
 Cleaning = Isopropanol



Designed by	Drawn by	Checked by	S-class	Affirmed	Scale	Weight	Proj. Method	Art. No.
MBe	MBe	KHo	S0		1:2	1,5 kg	☐	LG2020000-000
Mobitec AB		16x28 13,4/10 Standard			Date		2013-07-01	
This drawing is the property of Mobitec AB who retains all patent, proprietary design, use, sale and production rights. It may not be reproduced or used for manufacture or sale of goods without permission. © Mobitec AB, Sweden		MobilED Ultima Amber			Drawing No.		Revision	
		Page: 2			LG2020000-000		1	