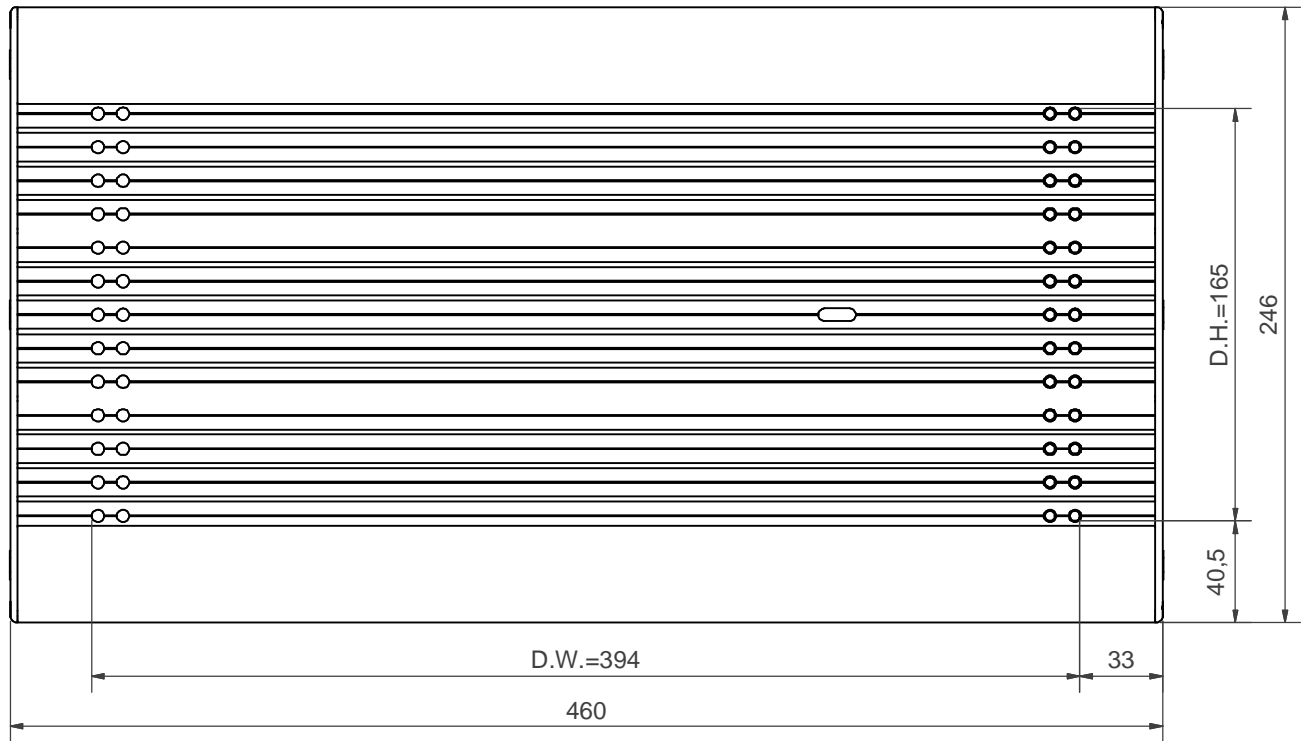
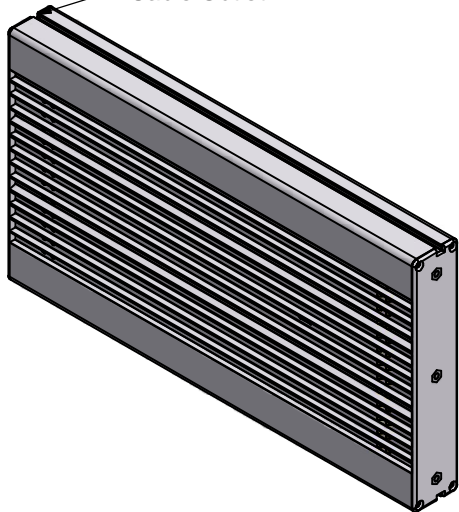


Cable Outlet

M6x1 - 6H



ECE Approval no:  
E5-10R-02040

ITEM	QTY	PART NUMBER	DESCRIPTION
3	1	400632	Chassi & LED Boards 13x40-13,4
2	1	401029	Drive Board Complete 091500
1	1	400515	Back Cover Complete

Parts List

Designed by Peter	Drawn by RPa	Checked by S0	S-class S0	Affirmed	Scale 1:2	Weight 3,5kg	Proj. Method ☐	Art. No. LED130401-802
Mobitec AB LED Sign 13x40-13,4/10								OEM Number LED130401-802
								Date 2009-12-21
								Drawing No. LED130401-802
								Revision

This drawing is the property of Mobitec AB who retains all patent, proprietary design, use, sale and production rights. It may not be reproduced or used for manufacture or sale of apparatus without permission. Mobitec AB, Sweden.