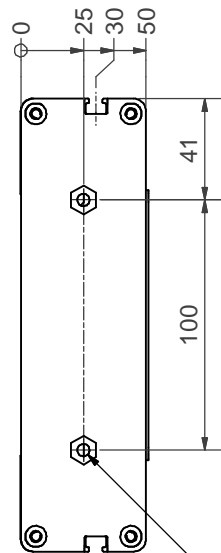
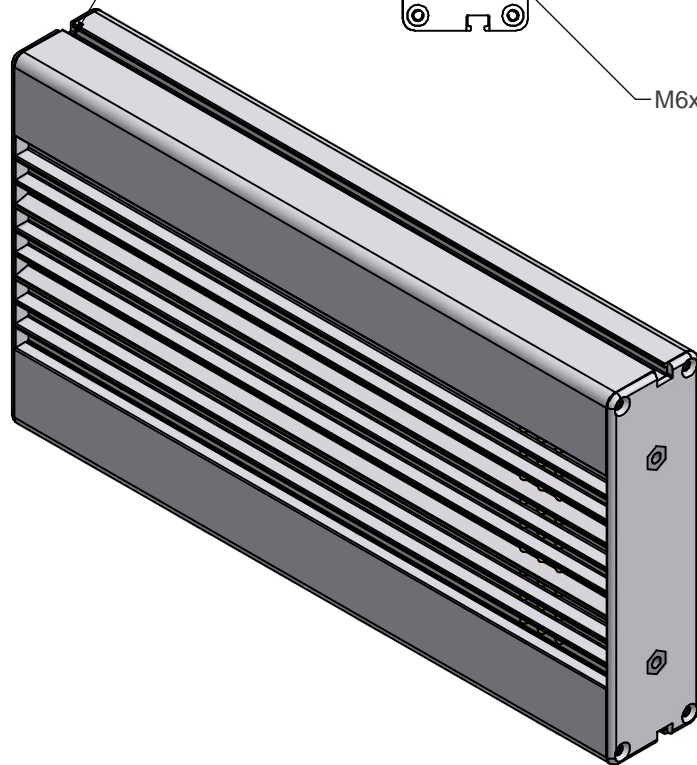
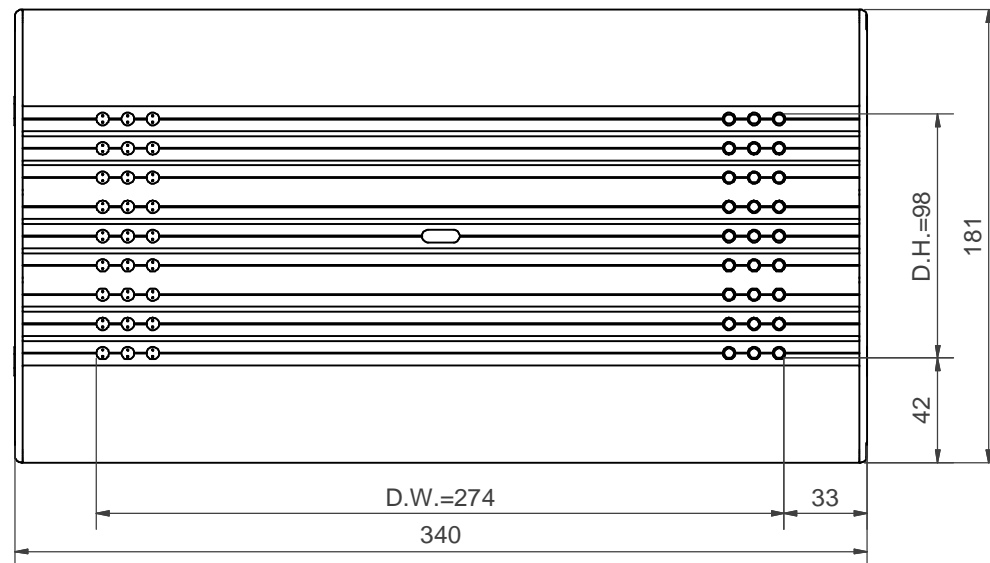


Cable Outlet



M6x1 - 6H



EC Approval no:
E5*72/245*95/54*0121*00

ITEM	QTY	PART NUMBER	DESCRIPTION
3	1	400513	Back Cover
2	1	401029	Drive Board Complete 091500
1	1	400611	Chassi & LED Board 9x28-11,7

Parts List

Designed by peter	Drawn by RPa	Checked by S0	S-class S0	Affirmed	Scale 1:2	Weight	Proj. Method LED	Art. No. LED090282-802
Mobitec AB LED Sign 9x28-11,7/10								Drawing Size A3
								Date 2009-12-21
								Drawing No. LED090282-802
								Revision

This drawing is the property of Mobitec AB who retains all patent, proprietary design, use, sale and production rights. It may not be reproduced or used for manufacture or sale of apparatus without permission. Mobitec AB, Sweden.