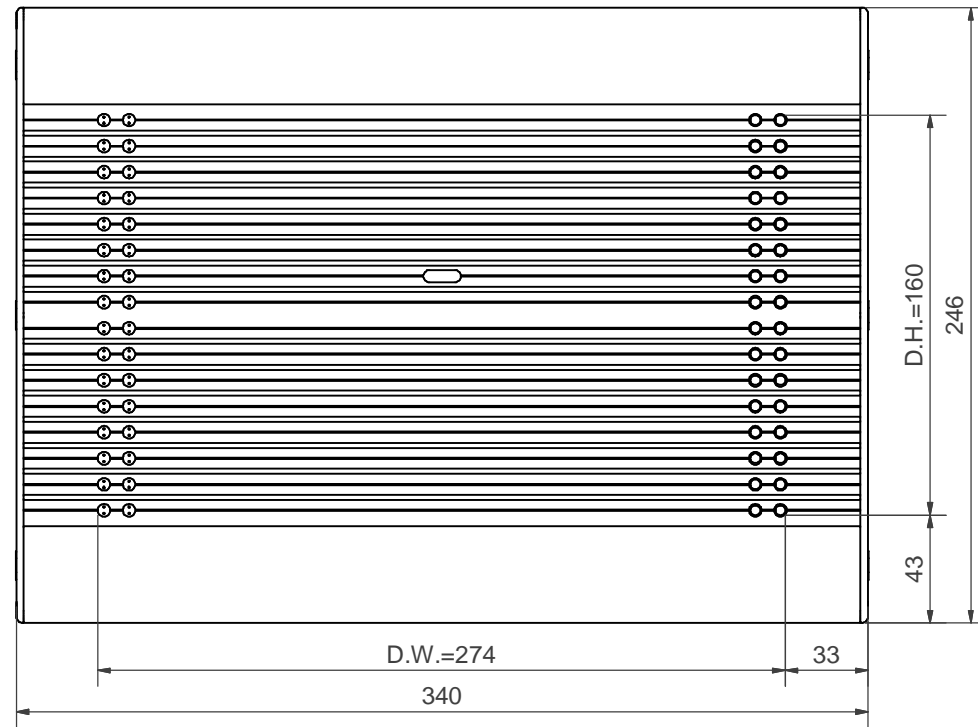
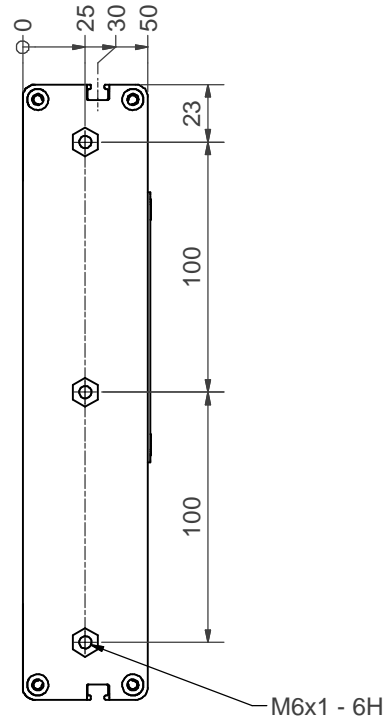
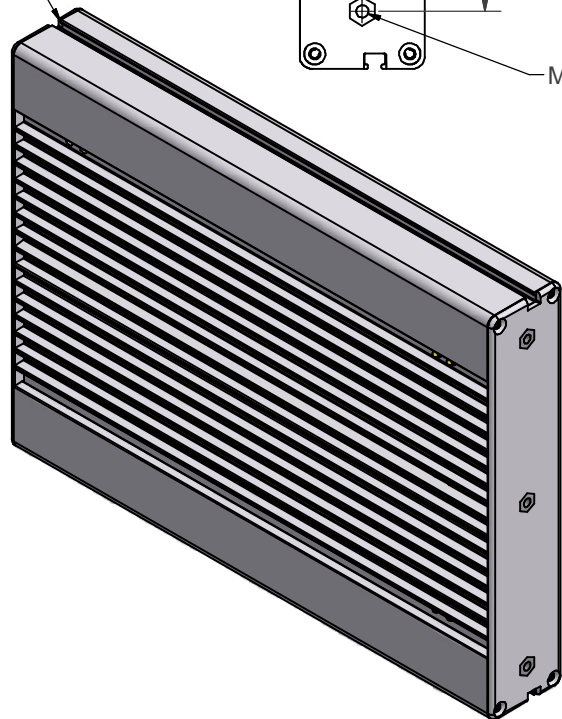


Cable Outlet



EC Approval no:
E5-10R-02040

ITEM	QTY	PART NUMBER	DESCRIPTION
3	1	400518	Back Cover
2	1	401029	Drive Board Complete 091500-20410
1	1	400716	Chassi & LED Board 16x28-10,4

Parts List

Designed by peter	Drawn by RPa	Checked by S0	S-class S0	Affirmed	Scale 1:2	Weight 2,8	Proj. Method 1st angle	Art. No. LED160285-802	
Mobitec AB LED-Sign								Drawing Size A3	Date 2009-12-22
This drawing is the property of Mobitec AB who retains all patent, proprietary design, use, sale and production rights. It may not be reproduced or used for manufacture or sale of apparatus without permission. Mobitec AB, Sweden.								Drawing No. LED160285-802	Revision